

FORM FIT Side Window Visors Installation Instructions

SD 10C15
Hyundai Sonata (2015 - 2019)

HARDWARE KIT

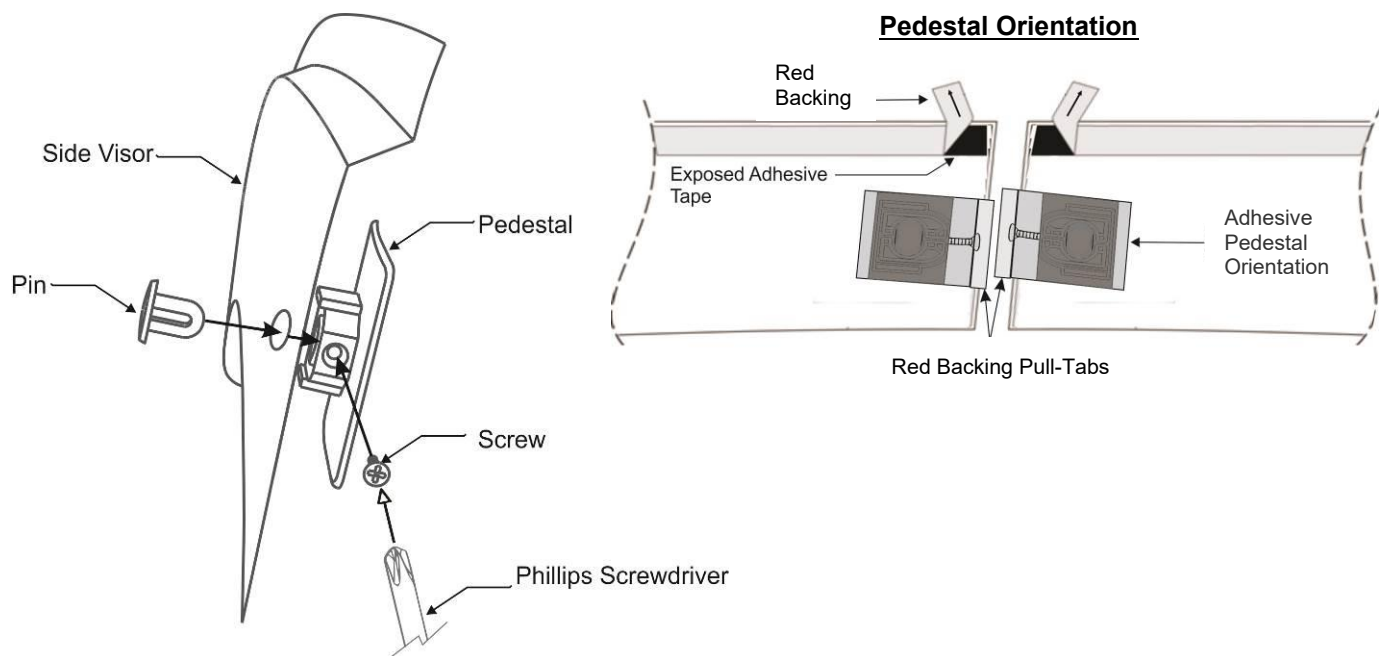
- 2 – Automotive surface cleaner
- 4 – Adhesive Pedestals
- 4 – Screws
- 4 – Pins
- 1 – Wooden “Wet-out” stick

TOOLS REQUIRED

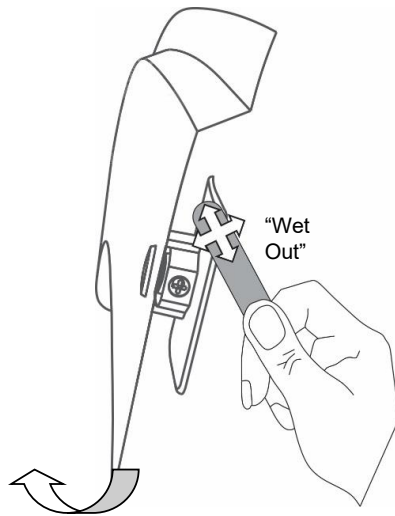
- Phillips Screwdriver
- Tape Measure
- Masking Tape

Attention: This product uses a 3M adhesive that requires installation and curing temperatures of 15° to 43°C (60° to 110°F) for 1 hr. to develop maximum adhesion to the vehicle surface. Failure to install this product at the proper temperature or allow adequate curing time before use is not covered under warranty.

1. Insert a pin through the hole in the side visor and into the adhesive backed pedestal.
Note: See illustration below for pedestal orientation. Maintain slight pressure on the pin, to ensure proper seating of the components, while simultaneously tightening the screw. Repeat for other three pieces.

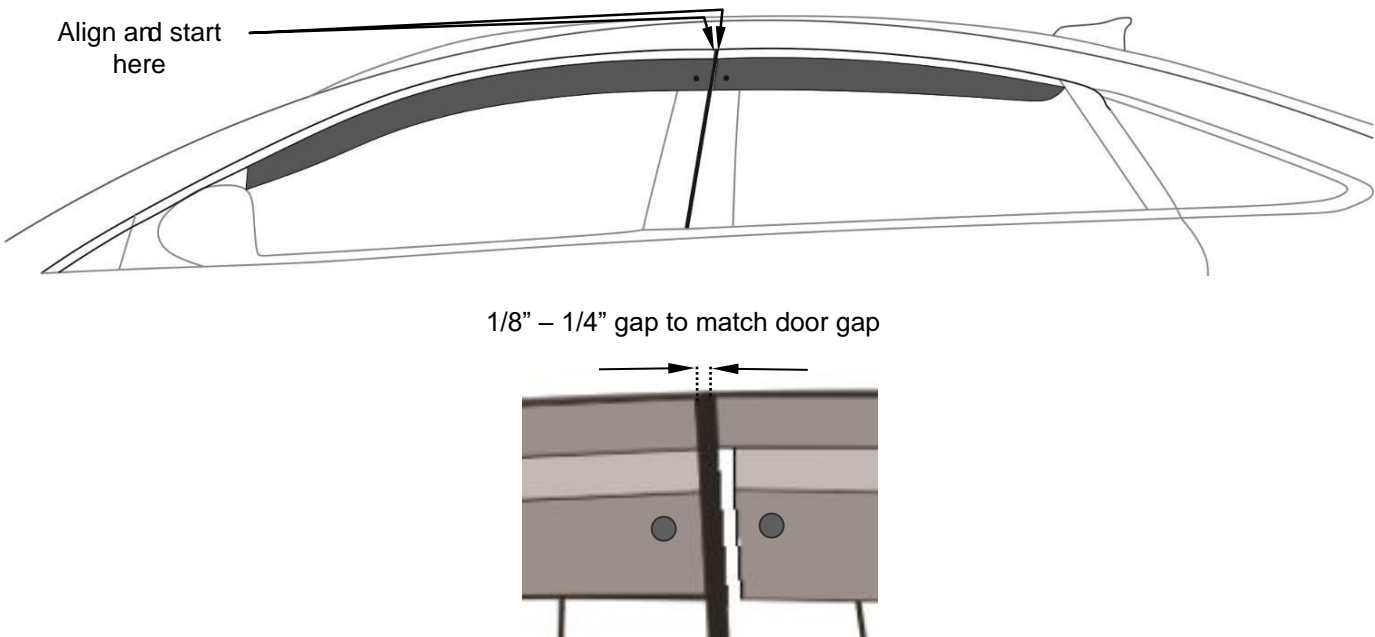


2. Make sure the vehicle is clean and completely dry before installation.
3. Start with the Passenger's side front door of the car.
4. Test fit the Passenger front visor on the door. Align the end of the visor with the edge of the door as shown on next page. The pedestal attached to the visor rests on the door frame and the top edge of the visor runs flush along the top edge of the door frame.
5. Clean all the mounting areas with the automotive surface cleaner to remove any finger prints, oil or wax that may be on the surface.
6. Starting at the pedestal end, peel the first 30-40 cm (12-15 inches) of the red backing from the adhesive tape on the flange of the visor. Press the visor into place as determined above. Work forward, removing the red backing from the tape and pressing the part into place.



7. Gently lift visor away from door frame so the pull tab on the adhesive pedestal is accessible. Pull the red backing from the pedestal and firmly press the visor onto the door frame. Using the wooden "wet-out" stick supplied, reach under the visor to apply pressure to the surface of the adhesive pedestal. This will make sure there is maximum contact between the adhesive tape and door frame.
8. Once the visor is in place press down **hard** along the entire flange area to make sure that the adhesive tape is fully adhered to the vehicle.
9. Repeat steps 3-6 for the remaining visors. When installing the rear door visors, start at the adhesive pedestal end of the visor and work back. Be sure to allow a gap between the front and rear visors similar to the gap between the doors.

ILLUSTRATION – SIDE VIEW ALIGNMENT



CARE INSTRUCTIONS

Clean the visors with a mild soap and water solution or plastic cleaner only. Do not use chemicals or solvents. Periodically check to make sure the visors are secure. Avoid using automatic car washes.

Retain this sheet for care instructions and kit information.

Thank you for purchasing a **FORMFIL** Accessory, a matching Hood Protector is also available.