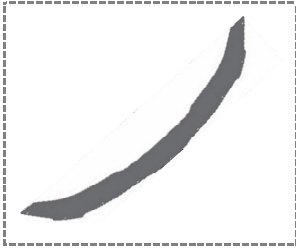
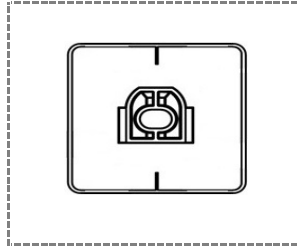


Installation Instructions / Instructions d'installation

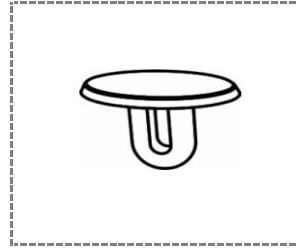
1



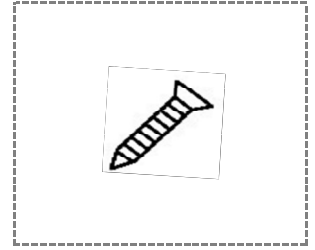
2



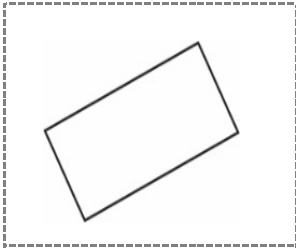
3



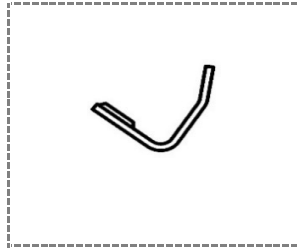
4



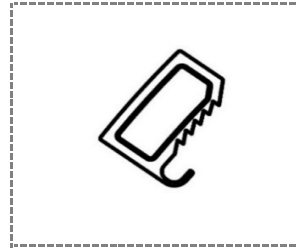
5



6



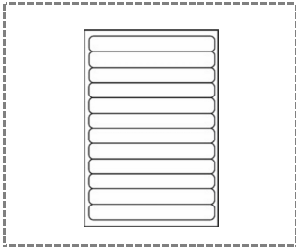
7



8



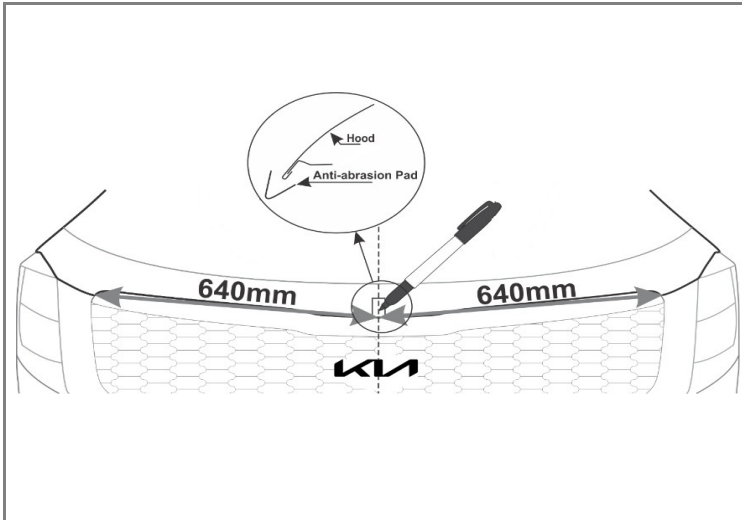
9



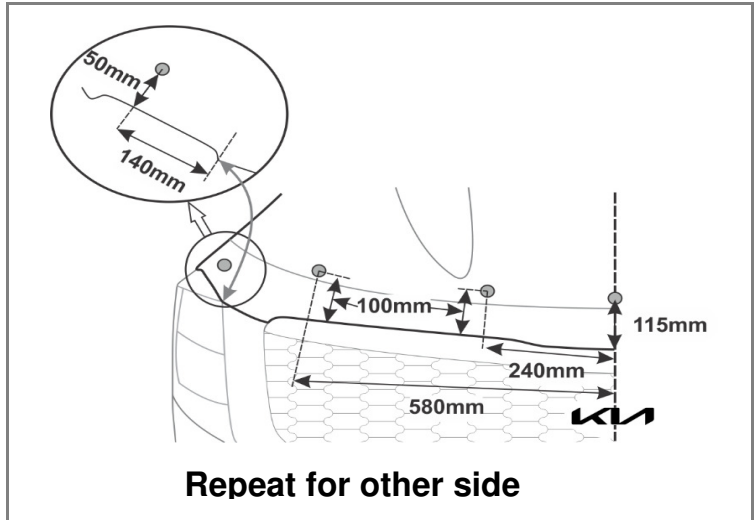
10



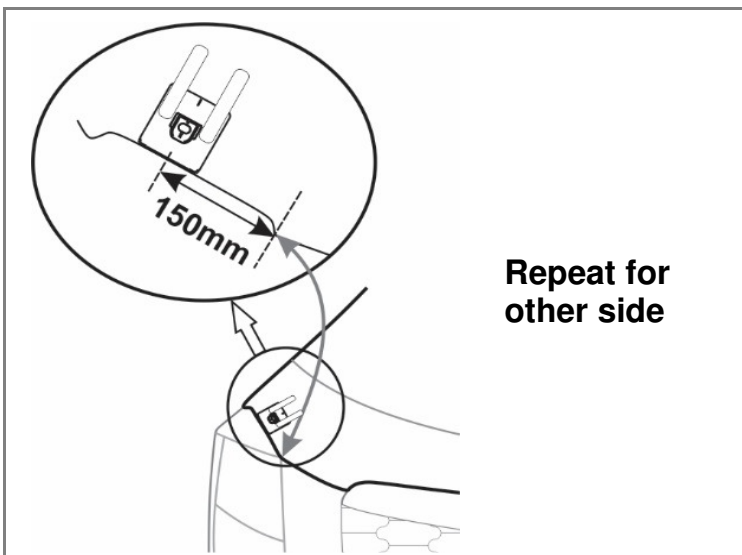
#	Qty.	Description	#	Qty.	Description	#	Qty.	Description
1	1	Hood guard <i>Protège-capot</i>	7	7	Clip bodies <i>Corps de clip</i>			
2	2	Adhesive mounting pedestals <i>Piédestaux de montage adhésifs</i>	8	7	Bumpers			
3	9	Pins <i>Épingles</i>	9	1	Re-useable tape strips <i>Bandes de ruban adhésif réutilisable</i>			
4	9	Screws <i>Des vis</i>	10	1	Automotive surface cleaner <i>Nettoyeur de surfaces automobile</i>			
5	7	Anti-abrasion pads <i>Tampons anti-abrasion</i>						
6	7	Metal "L" brackets <i>Supports métalliques en «L»</i>						



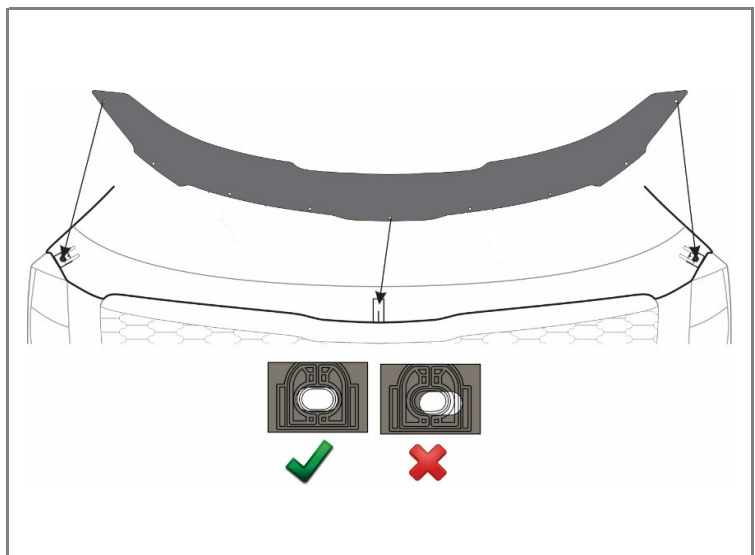
	Mark hood center	1
N O T E	<p>1. Use measurements to estimate centre of the hood and wrap an anti-abrasion film pad over the hood edge.</p> <p>2. Confirm measurements are equal from side to side and put a tick on the anti-abrasion pad where the centre is.</p>	



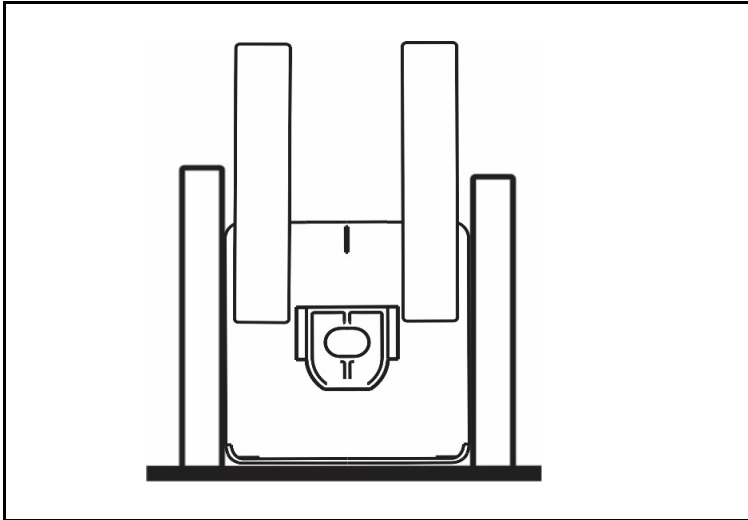
	Place bumpons	2
N O T E	<p>Using the dimensions in the illustration, peel the protective backing from the bumpons and place them in position on the hood.</p>	
<p>Bumpons must be installed on hood. If they are installed on the hood protector they may wear through the paint on the hood!</p>		



	Temporarily position of outer pedestals	3
N O T E	<p>Using the repositionable tape strips, temporarily place a mounting pedestal in the position illustrated.</p>	
	<p>Proper marking and prepping of all pedestal locations is critical. Accurately installing them in the exact position is very important. Once attached, the pedestals are very difficult to remove - place them correctly the first time!</p>	



	Test fit hood protector	4
N O T E	<p>1. Align the centre hole with the centre tick on the anti-abrasion pad.</p> <p>2. Verify the holes in the protector align with the those in the pedestals</p> <p>3. If necessary, reposition the pedestals so all attachment positions are correct and the protector is well centered.</p>	



Outline pedestals

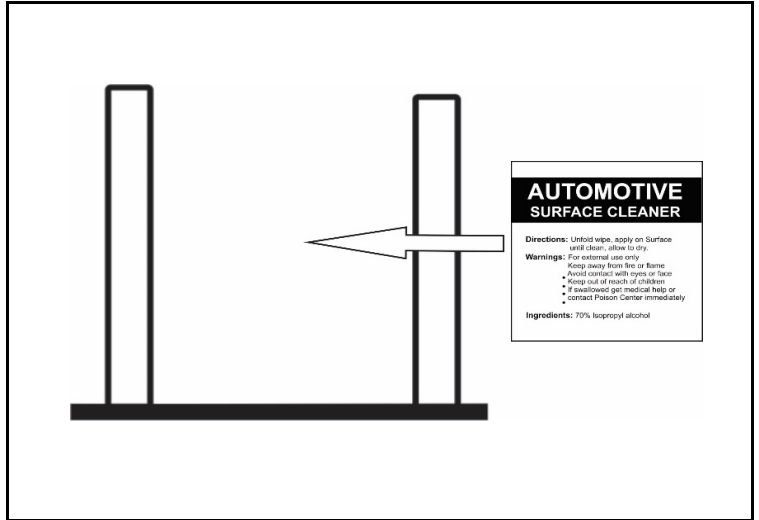
5

NOTE

Once the location of each pedestal has been established, outline the position with the supplied tape strips or masking tape.



Proper marking and prepping of all pedestal locations is critical. Accurately installing them in the exact position is very important. Once attached, the pedestals are very difficult to remove - place them correctly the first time!



Clean the surface

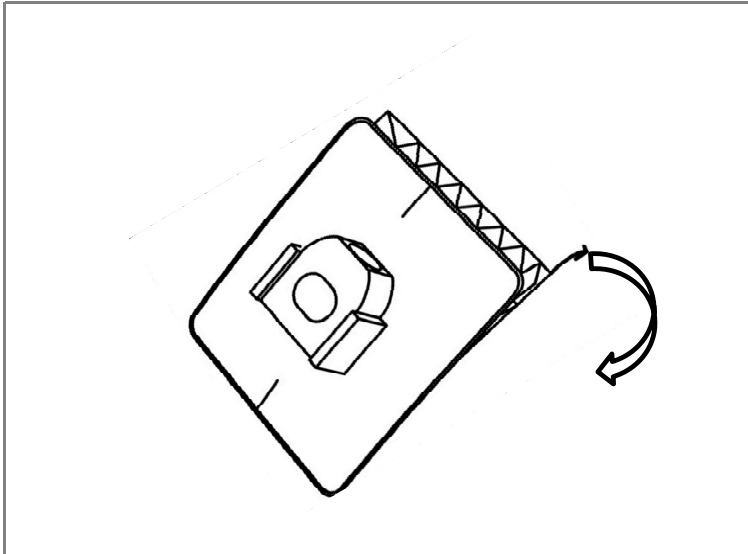
6

NOTE

Remove the pedestal and thoroughly clean the outlined area with the surface cleaner. Wipe dry with a clean cloth or paper towel. This will insure all wax, finger prints and oils are removed from the hood surface in the bonding area.



Important! Proper preparation of the hood surface will ensure maximum adhesive bond.



Install the pedestals

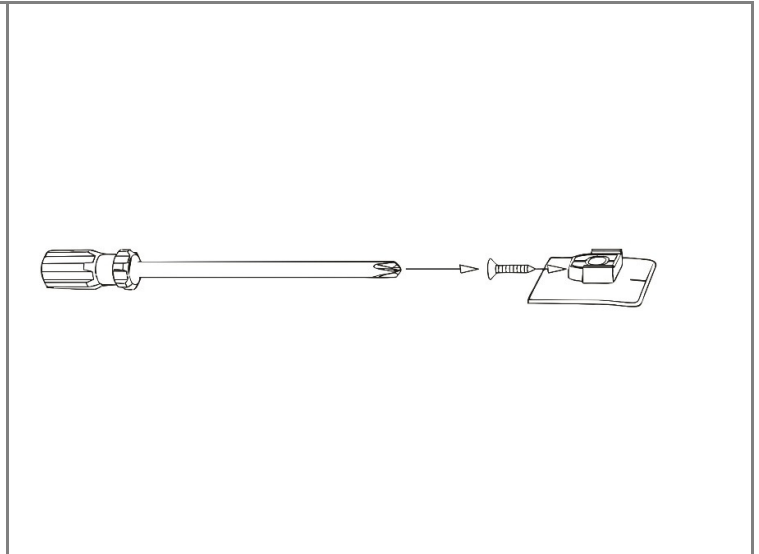
7

NOTE

Remove the red backing from the adhesive and install on the hood surface. After installation, remove the tape strips and "wet out" the pedestal base by applying pressure with your thumb around the surface of the pedestals.



Important: "wetting out" of the pedestal will ensure maximum adhesive bond.

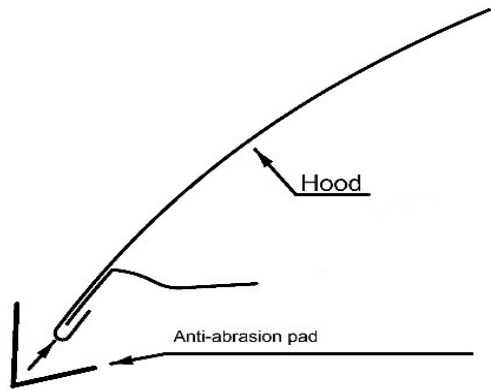


Start screws

8

NOTE

Start a screw into each pedestal a few turns. The tip of the screw must not protrude into the hole where the attachment pin will install later.

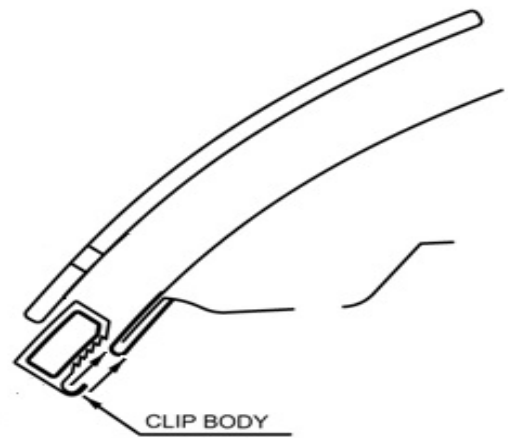


Attach large abrasion pads

9

NOTE

Realign the centre hole in the protector with the centre tick on the anti-abrasion pad and peel and fold the six (6) remaining anti-abrasion pads in half over the hood edge aligned with the holes of the protector.

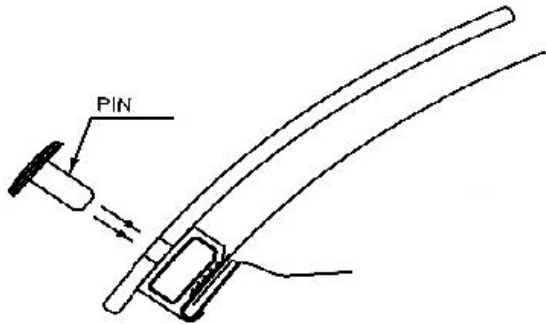


Attach outer clips - Step 1

10

NOTE

Starting at the centre, place one clip body over an abrasion pad on the edge of the hood.

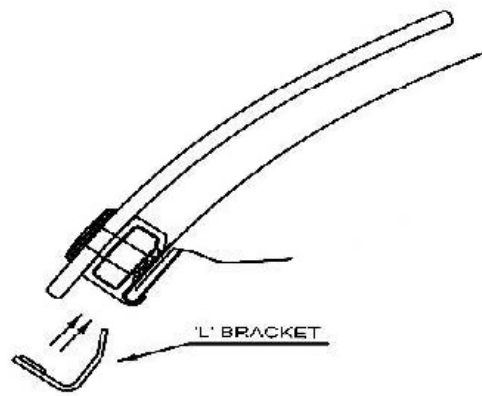


Attach outer clips - Step 2

11

NOTE

Insert a pin through the protector into the clip body.

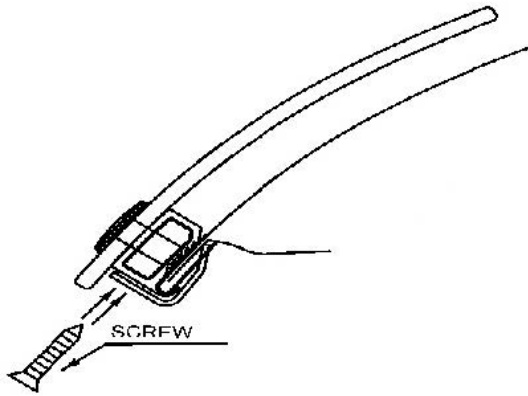


Attach outer clips - Step 3

12

NOTE

Place an "L" bracket over the hood edge and against the clip body.



Attach outer clips - Step 4

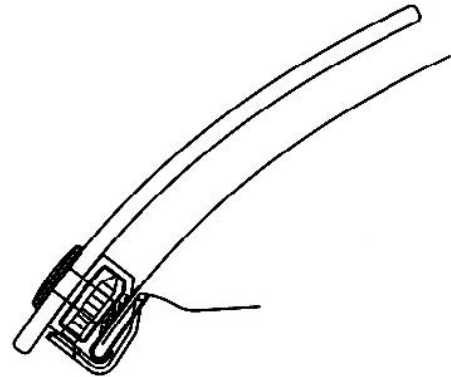
13

NOTE

Maintain slight pressure on the pin to ensure proper seating of the components, while simultaneously tightening the screw a few turns. Repeat for remaining pedestal locations.



NOTE: Only tighten screws a few turns so the pins are held in place but there is still some movement of the protector as this assists in final alignment of all attachment positions.

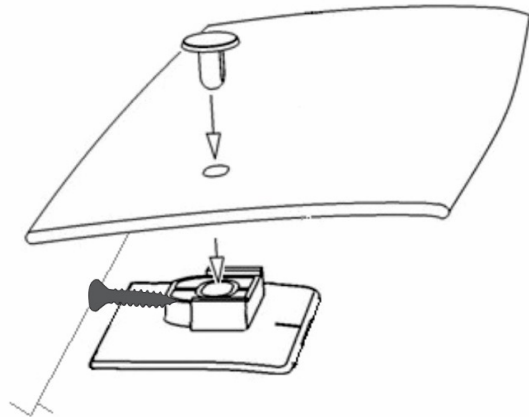


Attach outer clips - Step 5

14

NOTE

****Repeat steps 10 - 13 on the remaining locations.****

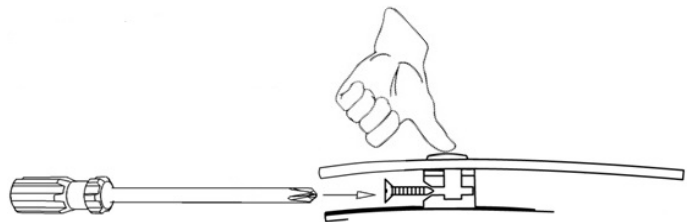


Position protector, install pins

15

NOTE

Align the protector with the pedestals and install a pin through the protector and into the pedestal.



Tighten the screws on the pedestal

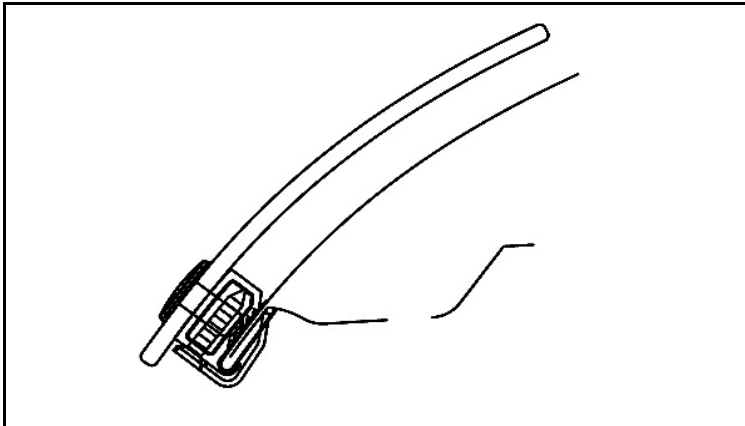
16

NOTE

Maintain slight pressure on the pin to ensure proper seating of the components, while simultaneously tightening the screw. Repeat for the other pedestal location.



NOTE: Allow adhesive to cure for 24 hours. Do not wash your vehicle for this amount of time.



Tighten the screws on the clip body

17

**N
O
T
E**

Make sure all the components are well seated together and the hood protector is centered on the hood and then tighten the screw into the clip body.



****Repeat for the rest of the locations.****